

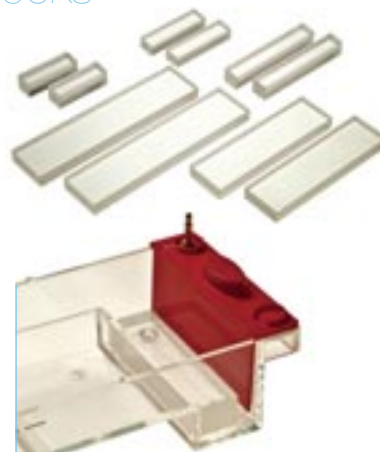
## gel levelling table

The Gel Levelling Table provides a useful way of pouring gels of uniform thickness. The table features a large 32 x 26cm platform with large thumb-wheel levelling feet at each corner. A levelling bubble is supplied.



## buffer saver blocks

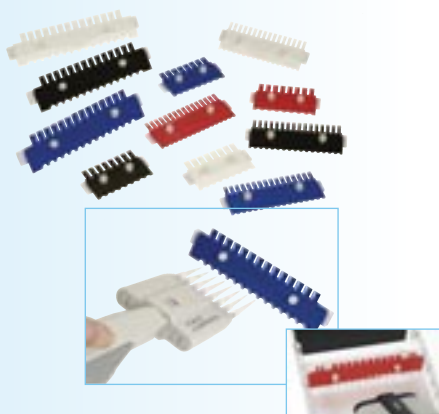
Buffer saver blocks physically reduce the volume in positive and negative compartments of a gel chamber and so reduces buffer requirements, saving cost. Blocks are available for all multiSUB Horizontal Gel Units.



## combi-comb/loading guides

- Colour coded for thickness
- Comb and guide in one piece for convenience
- Adjustable height

These guides combine the convenience of a regular comb with the appropriate guide (same teeth number and width) for loading samples, simply flip over.



## gel rulers



- Sharp, clear, easily visible markings
- For use with ethidium bromide gels
- Ideal for gel presentation

## high efficiency horizontal gel cooling

- Effective cooling
- Cools without external chilling systems
- Improves gel resolution and reduces run times



Comprising a removable Gel Platform and CoolPack this unique system will cool the buffer chamber of multiSUB horizontal gel units without any external chilling. Simply place the platform over the running tray and place a pre-chilled CoolPack on top. This allows the CoolPack to sit above the gel in buffer directly removing any heat generated.

### Ordering Information

High Efficiency Horizontal Gel Cooling Systems		Horizontal Buffer Saver Blocks	
MSMINICP	Cool-Pack and Platform for MSMINI	MSMINIBSB	Buffer Saver Blocks for MSMINI, pk/2 saves 100ml of buffer
MSMIDICP	Cool-Pack and Platform for MSMIDI	MSMIDIBSB	Buffer Saver Blocks for MSMIDI, pk/2 saves 100ml of buffer
MSCHOICECP	Cool-Pack and Platform for MSCHOICE	MSCHOICEBSB	Buffer Saver Blocks for MSCHOICE, pk/2 saves 190ml of buffer
MSMAXICP	Cool-Pack and Platform for MSMAXI	MSMAXIBSB	Buffer Saver Blocks for MSMAXI, pk/2 saves 450ml of buffer
MSSCREENCP	Cool-Pack and Platform for MSSCREEN	MSSCREENBSB	Buffer Saver Blocks for MSSCREEN, pk/2 saves 625ml of buffer
Horizontal Systems Combi Comb / Loading Guides		Gel Levelling Table	
(x = comb well number, y = comb thickness)		CSL-GLT	Gel Levelling Table
MS7-x -yLG	Combination Comb and Loading Guide for MSMINI		
MS10-x -yLG	Combination Comb and Loading Guide for MSMIDI	UV Fluorescent Ruler	
MS15-x -yLG	Combination Comb and Loading Guide for MSCHOICE	CSL-RULER	UV Fluorescent Ruler
MS20-x -yLG	Combination Comb and Loading Guide for MSMAXI		
MS26-x -yLG	Combination Comb and Loading Guide for MSSCREEN		